

SLS-8207

overview

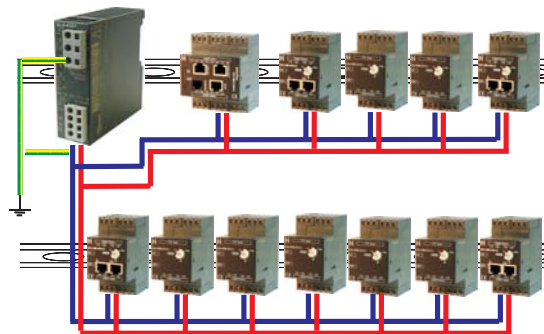
- ◆ power supply 100-240V~
- ◆ output 24V= 2A
- ◆ LED-indicators for input power supply
- ◆ LED-indicators for output power supply
- ◆ 25mm DIN-rail mount housing



SLS-8207 power supply

specification

power supply	100-240V~ ±20%
frequency	50-60Hz
input voltage	0.24 A / 230V~
buffer time	min.10ms / 230V~
output voltage	24Vdc, ±5%
ripple	<100mVss incl. spikes
output current	2A (48 W)
efficiency	typical 90%
loss power	typical 5W
parallel operated	yes
case	ABS/PC
mounting	DIN-rail mount housing
dimensions	25 x 80 x 76mm
operating conditions	-15 to +50 °C non condensing



— 24V=
— M- (mass)
— GND (ground)

!!! IMPORTANT !!!

- M- must be always grounded.
- All converters must be grounded.
- All the GND must be linked.
- All modules have 24V and M- supply.

ordering information

part no	supply	input	inp. galv. iso.*	output	outp. galv. iso.*	housing types
SLS-8207	100-240V~	-	yes	24V=	yes	J

* measurement input galvanically isolated from the power supply

