



# Histar-200

## overview

- ◆ Low profile
- ◆ Luminosity up to 430cd/m<sup>2</sup>
- ◆ Contrast up to 800:1
- ◆ Screen size 15" and 19"
- ◆ VGA- or DVI- Interface

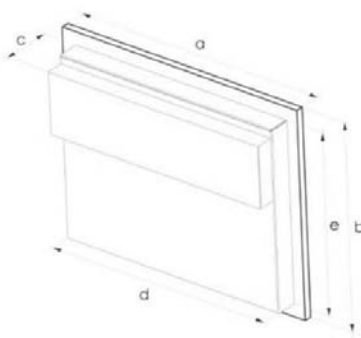


Monitor concepts are used especially if there is not enough space for HMI units, panel PC's or CRT screens in the enclosure or the operator desk.

In combination with the HIQUEL PC BOX a complete PC based system can be configured.

Histar-200 industrial monitors we deliver with highbrightness TFT displays in a range from 15" up to 21" and integrated Touch Screen.

Size	15"	19"
Cut-Out MUxx	399x336x90	472x410x90
Outside with frame	425x365x25	497x435x25
<b>Weight</b>	ca. 5 kg	ca. 7 kg



## specification

<b>Product type</b>	Compact industrial monitor
<b>General characteristics</b>	
power supply	90-264 Vac autorange
power consumption	30W for 15" display
<b>Front unit</b>	
MTBF backlight tubes	50.000 h
method of operating	resistive Touchscreen, 6 wire technology
rating	IP65 according EN 60529
touchcontroller	USB
<b>Interfaces</b>	
VGA/DVI	VGA or DVI-Output
Touch	USB
<b>Ambient Conditions</b>	
temperature	+5°C to +45°C
relative humidity	5% to 80% at 25°C
vibration resistance	0,67G (5-500Mhz)
shock resistance	300G/2ms

## ordering information

Ordering information you can find on page 1:51.

part no	display	resolution	Histar-Audio	housing types
<b>Histar-200-15-VGA</b>	15" TFT-Display	1024x768 Pixel	no	special
<b>Histar-200-15-DVI</b>	15" TFT-Display	1024x768 Pixel	no	special
<b>Histar-200-15-VGA-M</b>	15" TFT-Display	1024x768 Pixel	yes	special
<b>Histar-200-15-DVI-M</b>	15" TFT-Display	1024x768 Pixel	yes	special
<b>Histar-200-19-VGA</b>	19" TFT-Display	1280x1024 Pixel	no	special
<b>Histar-200-19-DVI</b>	19" TFT-Display	1280x1024 Pixel	no	special
<b>Histar-200-19-VGA-M</b>	19" TFT-Display	1280x1024 Pixel	yes	special
<b>Histar-200-19-DVI-M</b>	19" TFT-Display	1280x1024 Pixel	yes	special

\*Also other hardware and software configurations are available

\*Delivery without frame