

# HM-200

## overview

- ◆ **Low profile**
- ◆ **Luminosity up to 430cd/m<sup>2</sup>**
- ◆ **Contrast up to 800:1**
- ◆ **Screen size from 15" to 21"**
- ◆ **VGA- or DVI- Interface**



## specification

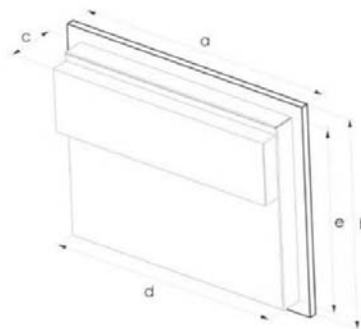
<b>Product type</b>	Compact industrial monitor
<b>General characteristics</b>	
power supply	90-264 Vac autorange
power consumption	30W for 15" display
<b>Front unit</b>	
MTBF backlight tubes	50.000 h
method of operating	resistive Touchscreen, 6 wire technology
rating	IP65 according EN 60529
touchcontroller	USB
<b>Interfaces</b>	
VGA/DVI	VGA or DVI-Output
Touch	USB
<b>Ambient Conditions</b>	
temperature	+5°C to +45°C
relative humidity	5% to 80% at 25°C
vibration resistance	0,67G (5-500Mhz)
shock resistance	300G/2ms

Monitor concepts are used especially if there is not enough space for HMI units, panel PC's or CRT screens in the enclosure or the operator desk.

In combination with the HIQUEL PC BOX a complete PC based system can be configured.

HM 200 industrial monitors we deliver with highbrightness TFT displays in a range from 15" up to 21" and integrated Touch Screen.

Size	15"	17"	19"	21"
a	400	460	472	540
b	310	360	383	440
c	115	120	120	135
d	370	429	440	509
e	290	337	363	406
<b>Weight</b>	ca. 4 kg	ca. 5 kg	ca. 6 kg	ca. 7 kg
<b>Luminosity</b>	430	300	300	250
<b>Contrast</b>	450:1	700:1	800:1	500:1



## ordering information

part no	display	resolution	housing types
<b>HM-200-15-VGA</b>	15" TFT-Display	1024x768 Pixel	special
<b>HM-200-15-DVI</b>	15" TFT-Display	1024x768 Pixel	special
<b>HM-200-17-VGA</b>	17" TFT-Display	1280x1024 Pixel	special
<b>HM-200-17-DVI</b>	17" TFT-Display	1280x1024 Pixel	special
<b>HM-200-19-VGA</b>	19" TFT-Display	1280x1024 Pixel	special
<b>HM-200-19-DVI</b>	19" TFT-Display	1280x1024 Pixel	special
<b>HM-200-21-VGA</b>	21" TFT-Display	1600x1200 Pixel	special
<b>HM-200-21-DVI</b>	21" TFT-Display	1600x1200 Pixel	special

\*Also other hardware and software configurations are available

