

SLS-500-D...-16A

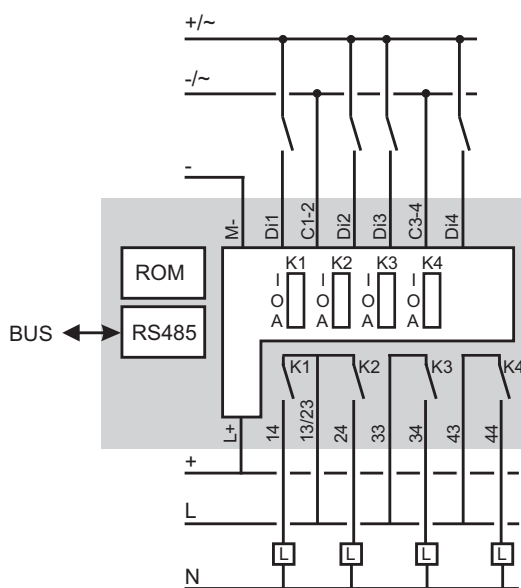
overview



- ◆ digital I/O expansion module
- ◆ universally for switching devices requiring mains power
- ◆ supply voltage 24V=
- ◆ 4 digital inputs 24V= or 230V~
- ◆ 4 outputs 230V~/16A
- ◆ 3 roots for 4 relay contacts
- ◆ MANUAL-OFF-AUTOMATIC switch
- ◆ LED indicators for inputs and outputs
- ◆ RS485 interface
- ◆ 67.5mm DIN rail mount housing

specification

supply voltage	24V=
power consumption	0,5W I
output relay specification	max. 16A 250V~
Ue/Ie AC-15	120V/3A 240V/3A
Ue/Ie DC-13	24V/1,5A
expected life time	SPNO
mechanical	1x10 ⁷ operations
electrical	7x10 ⁴ operations
input specification	230V~ / 24V=
	min. 1 mA / min. 3 mA
protection class	terminals IP20
	housing IP50
screws	pozidrive 1
screw tightening torque	0,6..0,8 Nm
weight	230g
dimensions	67,5 x 85 x 75mm
operating conditions	-15 to +55°C non condensing
	*EN 60947-5-1 VDE 0435



ordering information

part no	type	supply	input	inp. galv. iso.*	output	outp. galv. iso.*	housing types
SLS-500-DRR-16A-C	local	24V=	4x 230V~	yes	4x SPNO	yes	E
SLS-500-DRR-16A-D	remote	24V=	4x 230V~	yes	4x SPNO	yes	E
SLS-500-DR-16A-C	local	24V=	4x 24V~	yes	4x SPNO	yes	E
SLS-500-DR-16A-D	remote	24V=	4x 24V~	yes	4x SPNO	yes	E

* measurement input galvanically isolated from the power supply