

# SLS-500-DBI-16A

## overview

- ◆ supply voltage 24V=
- ◆ 4 digital inputs
- ◆ 4 outputs / bistable SPNO max. 16A
- ◆ LED indicators for inputs and outputs
- ◆ RS485 interface
- ◆ manual of automatic switch
- ◆ pre-programmable timer functions
- ◆ 67.5mm DIN rail mount housing



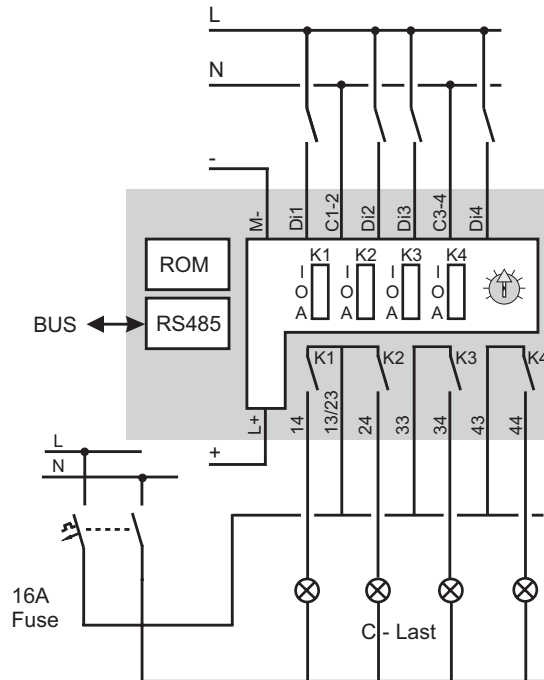
## specification

<b>supply voltage</b>	24V=
<b>power consumption</b>	0,5W
<b>output relay specification</b>	max. 16A 230V~
Only for resistive and capacitive loads suited	< 20ms max. 165A
	< 200µms max. 800A
<b>expected life time</b>	SPNO
mechanical	3x10 <sup>6</sup> operations
electrical	3x10 <sup>4</sup> operations
<b>input specification</b>	230V~
	min. 1mA
<b>protection class</b>	terminals IP20
	housing IP50
<b>screws</b>	pozidrive 1
<b>screw tightening torque</b>	1,0 Nm
<b>weight</b>	230g
<b>dimensions</b>	67,5 x 85 x 75mm
<b>operating conditions</b>	-15 to +55°C non condensing
	*EN 60947-5-1 VDE 0435

## ordering information

part no	type	supply	input	inp. galv.iso.*	output	outp. galv. iso.*	housing types
SLS-500-DBI-16A-C	local	24V=	4x 230V~	yes	4x SPNO	yes	E
SLS-500-DBI-16A-D	remote	24V=	4x 230V~	yes	4x SPNO	yes	E

\* measurement input galvanically isolated from the power supply



SLS-500-DBI-16A digital input module