



SLS-500-AU

overview



local

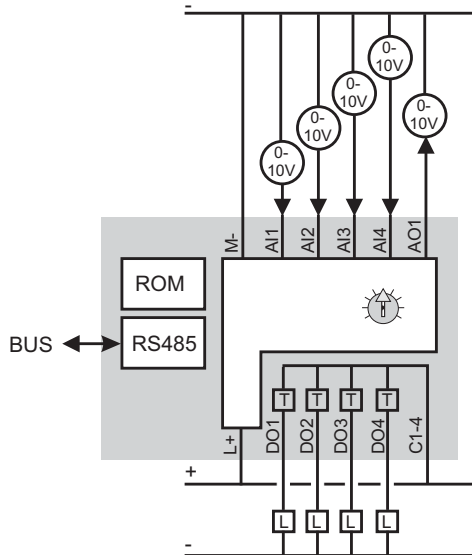


remote

- ◆ analogue I/O expansion module
- ◆ supply voltage 24V=
- ◆ 4 analogue inputs 0-10V
- ◆ 1 analogue output 0-10V
- ◆ 4 transistor outputs (PNP)
- ◆ LED indicators for outputs
- ◆ RS485 interface
- ◆ 1 potentiometer
- ◆ pre-programmable timer functions
- ◆ 45mm DIN rail mount housing

specification

supply voltage	24V=
power consumption	0,5W nominal
transistor output spec.	max. 800mA 24V= PNP max. 8kHz
analogue output spec.	0 - 10V= max. 2mA
resolution	12 bit
repeat accuracy	0,1%
precision	±0,5%
analogue input spec.	0 - 10V=
resolution	10 bit
input resistance	50kOhm
protection class	terminals IP20 housing IP50
screws	pozidrive 1
screw tightening torque	1,0 Nm
weight	120g
dimensions	45 x 85 x 75mm
operating conditions	-15 to +55 °C non condensing



ordering information

part no	type	supply	input	inp. galv. iso.*	output	outp. galv. iso.*	housing types
SLS-500-AU-C	local	24V=	4x 0-10V	no	4x trans. PNP	no	C
SLS-500-AU-D	remote	24V=	4x 0-10V	no	4x trans. PNP	no	C
SLS-550-AU-C	local	24V=	4x 0-10V	no	4x trans. PNP	no	C
SLS-550-AU-D	remote	24V=	4x 0-10V	no	4x trans. PNP	no	C

* measurement input galvanically isolated from the power supply