



# SLS-500-AU-AU

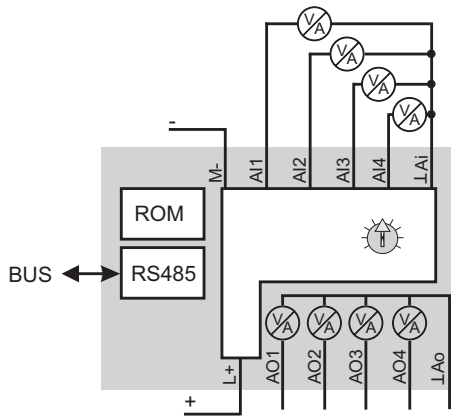
## overview



- ◆ analogue I/O expansion module
- ◆ supply voltage 24V=
- ◆ 4 analogue inputs 0-10V
- ◆ 4 analogue outputs 0-10V
- ◆ RS485 interface
- ◆ 1 potentiometer
- ◆ pre-programmable timer functions
- ◆ 45mm DIN rail mount housing

## specification

<b>supply voltage</b>	24V= ±10%
<b>power consumption</b>	0,5W nominal
<b>analogue output spec.</b>	0 - 10V= max. 2mA
resolution	12 bit
repeat accuracy	0,1%
precision	±0,5%
<b>analogue input spec.</b>	0 - 10V=
resolution	10 bit
<b>input resistance</b>	50kOhm
<b>protection class</b>	terminals IP20
	housing IP50
<b>screws</b>	pozidrive 1
<b>screw tightening torque</b>	1,0 Nm
<b>weight</b>	120g
<b>dimensions</b>	45 x 85 x 75mm
<b>operating conditions</b>	-15 to +55 °C non condensing



## ordering information

part no	type	supply	input	inp. galv. iso.*	output	outp. galv. iso.*	housing types
<b>SLS-500-AU-AU-C</b>	local	24V=	4x 0-10V	no	4x 0-10V	no	C
<b>SLS-500-AU-AU-D</b>	remote	24V=	4x 0-10V	no	4x 0-10V	no	C
<b>SLS-550-AU-AU-C</b>	local	24V=	4x 0-10V	no	4x 0-10V	no	C
<b>SLS-550-AU-AU-D</b>	remote	24V=	4x 0-10V	no	4x 0-10V	no	C

\* measurement input galvanically isolated from the power supply