

SLS-500-AU-AI

overview

- ◆ analogue I/O expansion module
- ◆ supply voltage 24V=
- ◆ 4 analogue inputs 0-10V
- ◆ 4 analogue outputs 0-20mA
- ◆ RS485 interface
- ◆ 1 potentiometer
- ◆ pre-programmable timer functions
- ◆ 45mm DIN rail mount housing



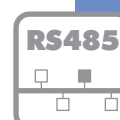
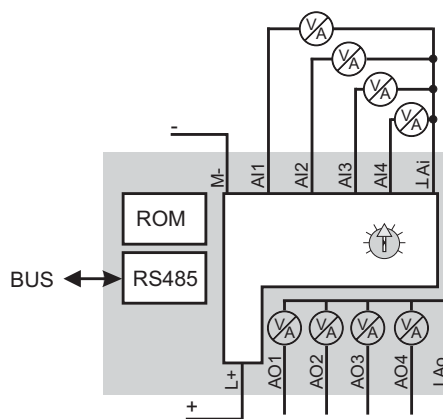
specification

supply voltage	24V= ±10%
power consumption	0,5W nominal
analogue output spec.	0 - 10V= max. 2mA
resolution	10 bit
repeat accuracy	0,1%
precision	±0,5%
analogue input spec.	0 - 20mA
resolution	12 bit
input resistance	50 kOhm
protection class	terminals IP20
	housing IP50
screws	pozidrive 1
screw tightening torque	1,0 Nm
weight	120g
dimensions	45 x 85 x 75mm
operating conditions	-15 to +55 °C non condensing

ordering information

part no	type	supply	input	inp. galv. iso.*	output	outp. galv. iso.*	housing types
SLS-500-AU-AI-C	local	24V=	4x 0-10V	no	4x 0-20mA	no	C
SLS-500-AU-AI-D	remote	24V=	4x 0-10V	no	4x 0-20mA	no	C
SLS-550-AU-AI-C	local	24V=	4x 0-10V	no	4x 0-20mA	no	C
SLS-550-AU-AI-D	remote	24V=	4x 0-10V	no	4x 0-20mA	no	C

* measurement input galvanically isolated from the power supply



SLS-500-AU-AI analogue I/O module