

# TUNV/TUNC

## overview

- ◆ supply voltage 24V~
- ◆ feedback contact for manual or automatic mode
- ◆ short circuit protection
- ◆ LED indicator proportional to output level
- ◆ 22.5mm DIN rail mount housing



sympole photo

### Description:

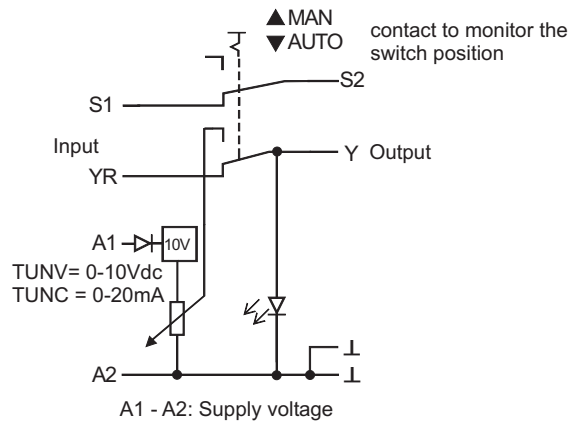
TUNV/TUNC are used with automatic control systems (BMS, PLC, PC) that provide a 0-10V or 0-20mA signal for controlling variables such as temperature, speed, position etc.

Contact S1-S2 is closed in position "AUTO".

In automatic mode ("AUTO") the analogue signal from the control system (terminals YR & I) is re-transmitted to the controlled device (ratio 1:1, terminals Y & L).

In manual mode ("MAN") the analogue signal from the control system is isolated and the ANU/ANI inject a signal (terminals Y & ) which can be adjusted from 0 to 10V or 0-20mA by the potentiometer.

The brightness of the LED "Y" is proportional to the output signal level.



## specification

supply voltage variation	Vdc: -10..+20%
	Vac: -20..+10%
frequency range	48 - 63 Hz
duty cycle	100%
contact material	silver alloy
switch (S1-S2)	28V~/2A
expected life time	mechanical operations 40.000
current consumption (Y <sub>2</sub> )	TUNV: <1mA 10Vdc
screws	Pozidriv 1, Slot 4mm
screw tightening torque	0,4Nm
operating conditions	-20 to +60°C non condensing

## ordering information

part no	supply	output	relay type	HIQUEL	housing type
TUNV 24Vac/dc	24V~ 1,3VA/0,55W	0-10V=	-	-	B
TUNC 24Vac/dc	24V~ 1,9VA/0,51W	0-20mA=	-	-	B

