

# SLS-500-8DI

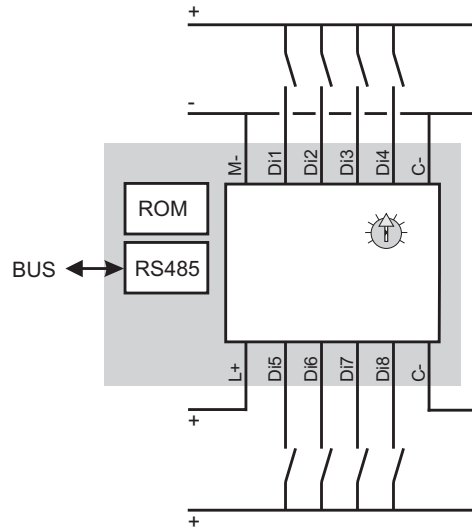
## overview

- ◆ digital input expansion module
- ◆ supply voltage 24V=
- ◆ 8 digital inputs 24V=
- ◆ LED indicator for input
- ◆ RS485 interface
- ◆ 1 potentiometer
- ◆ pre-programmable timer functions
- ◆ 45mm DIN rail mount housing



## specification

supply voltage	24V= ±10%
power consumption	0,5W nominal
input specification	24V= min. 5 mA
protection class	terminals IP20 housing IP50
screws	pozidrive 1
screw tightening torque	1,0 Nm
weight	140g
dimensions	45 x 85 x 75mm
operating conditions	-15 to +55 °C non condensing



## ordering information

part no	type	supply	input	inp. galv. iso.*	output	outp. galv. iso.*	housing types
SLS-500-8DI-C	local	24V=	8x 24V=	yes	-	-	C
SLS-500-8DI-D	remote	24V=	8x 24V=	yes	-	-	C
SLS-550-8DI-C	local	24V=	8x 24V=	yes	-	-	C
SLS-550-8DI-D	remote	24V=	8x 24V=	yes	-	-	C

\* measurement input galvanically isolated from the power supply



SLS-500-8DI digital input module