



# SLS-500-8D

## overview



local

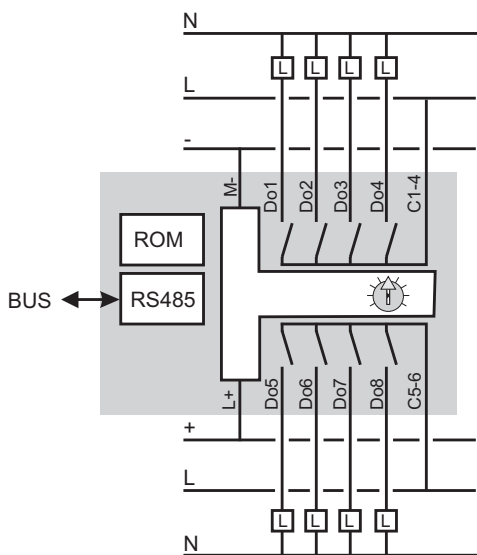


remote

- ◆ digital output expansion module
- ◆ supply voltage 24V=
- ◆ 8 digital outputs
  - SPNO 230V~= max. 5A
  - or transistor (PNP) 24V= max. 800mA
  - or photomos 60V~= max. 2A
- ◆ LED indicator for output
- ◆ RS485 interface
- ◆ 1 potentiometer
- ◆ pre-programmable timer functions
- ◆ 45mm DIN rail mount housing

## specification

supply voltage	24V= ±10%
power consumption	0,5W nominal
output relay specification	max. 5A 230V~
Ue/Ie AC-15	120V/1,5A 240V/1A
Ue/Ie DC-13	24V/1A
	EN 60947-5-1 VDE 0435
expected life time	SPNO
mechanical	1x10 <sup>7</sup> operations
electrical	1x10 <sup>6</sup> operations
output transistor spec.	max. 800mA 24V= PNP
output photomos spec.	max. 2A 60V=
protection class	terminals IP20
	housing IP50
screws	pozidrive 1
screw tightening torque	1,0 Nm
weight	120g
dimensions	45 x 85 x 75mm
operating conditions	-15 to +55 °C non condensing



## ordering information

part no	type	supply	input	inp. galv. iso.*	output	outp. galv. iso.*	housing types
SLS-500-8DR-C	local	24V=	-	-	8x SPNO	yes	C
SLS-500-8DR-D	remote	24V=	-	-	8x SPNO	yes	C
SLS-500-8DT-C	local	24V=	-	-	8x trans. PNP	no	C
SLS-500-8DT-D	remote	24V=	-	-	8x trans. PNP	no	C
SLS-500-8DS-C	local	24V=	-	-	8x photomos	yes	C
SLS-500-8DS-D	remote	24V=	-	-	8x photomos	yes	C

\* also available with SLS-550 series - for instance use SLS-550-8DR-C instead of SLS-500-8DR-C as part number

\* measurement input galvanically isolated from the power supply